

Gate Valve

Type **09320** Onshore

Flanged Gate Valves, PN16-10, DIN EN 12288

Bronze body and bolted topwork

With maintenance-free gland packing (O-Ring) and non-rising stem

Flanged connection acc. to EN 1092-3 PN16 or PN10,

Raised Face Ra12.5 from DN100 – DN200, Flat Face Ra12.5 for DN250

Part No. 09320.X.110000

Valve with opening indicator and locking device without lock

Part No. 09320.X.120000

Valve with opening indicator and locking device with lock

Available options:

Pos	Code	Description
.X.	-	Please see chart below
	-	Flange personalized on request



Application

Suitable for transformer oil.
Onshore Applications

Working temperatures and pressure

Up to max. 6.0 bar:
From -25°C / -13°F (248K) up to +120°C / +248°F (393K)

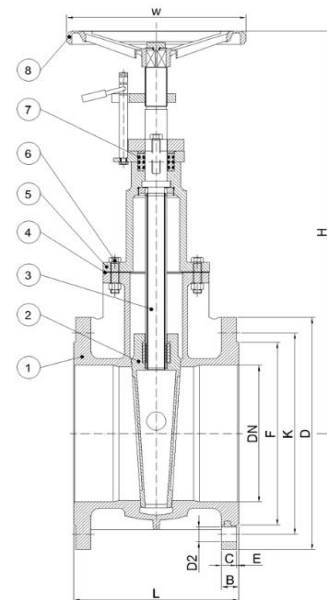
Standards

Standard marking acc. to Pressure Equipment Directive 2014/68/EU (PED).

Pressure test acc. to EN 12266-1 - Rate "A"

Note

When requesting an offer or order, please indicate flow medium, working pressure and working temperature.



Description	DIN EN	ASTM
1 Body	Bronze CC491K	B 62 UNS C83600
2 Wedge	Bronze CC491K	B 62 UNS C83600
3 Stem	Brass CW614N	B 283 UNS C38500
4 Bonnet Gasket	Klingsil C-4400	
5 Headpiece	Bronze CC491K	B 62 UNS C83600
6 Bolts	1.4571/A4 Similar A 194 B8T	
7 O-Rings	FPM (Viton)	
8 Handwheel	Steel	

Description		Dimensions [mm]				
		DN	100	125	150	200
Nominal Diameter	DN	100	125	150	200	250
Size code	.X.	1000	1250	1500	2000	2500
Face-to-face dimension	L	190	208	210	230	250
Height	H	367	429	469	593	690
Flange Diameter	D	220	250	285	340	395
Width of flange with step	B	20	22	22	24	24
Step width	E	3	3	3	3	-
Step diameter	F	158	188	212	268	-
Distance between holes	K	180	210	240	295	350
N° x holes diameter	N°xD2	8x18	8x18	8x22	8x22	12x22
Handwheel – Ø	W	175	225	225	300	300
Max. Working Pressure	PN	16	16	16	10	10
Flange connect. DIN EN1092-3	PN	16 /10	16 /10	16 /10	10	10
Weight (approx.)	Kg	23.5	32.0	42.5	71.0	106.0